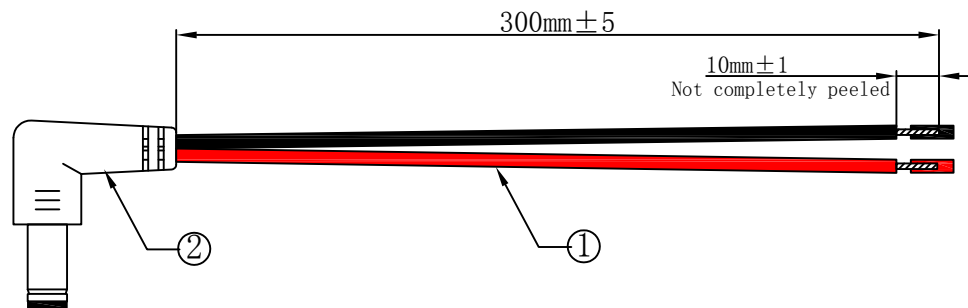


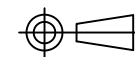
REVISIONS				
ZONE	REV	DESCRIPTION	DATE	DRAWN BY
	A	First drawing	2020.10.22	
	B			



WIRE CONNECTION		
P1 SIDE	CORE COLOR	P2 SIDE
	black	_____
	red	_____

9				
8				
7				
6				
5				
4				
3				
2	Connector	DC5.5*2.1-M 90° C	pcs	1
1	Wire	UL1007#18 red,black	pcs	1
NO	Material	Specification	Unit	Qty
BILL OF MATERIAL				

General Tolerance
DIMENSION
X.X ±0.30
X.XX ±0.10
X.XXX ±0.05
ANGLE
±5°



Shenzhen Yi Da Wing technology co.,LTD					
Website: https://ydwharness.en.alibaba.com/					
Publish NO.		customer p. n.			
SHEET:	1 OF 1	part no.			
TITLE	DC 5.5x2.1 90°C UL1007#18 L=300mm				
Approved By	Checked By	Drawn By	DATE	SCALE	Units
			2020.10.22	NONE	mm